

- Put the entire fixing bracket back into the chassis. Select and fix the component screws in the opposite direction.
 - Check that no other debris is left in the chassis, and restore the cover.
4. Check after replacement
- Confirm that there is an array card in the bios power on option.
 - Confirm that the hard disk in the array card is recognized and the mode is JBOD mode.
 - Carry out a key check to confirm that the platform is running normally.

1.87.4.7 Power Module Replacement

Description

1. When the power supply module of Sangfor aServer fails, the power supply needs to be replaced.
2. For non-Sangfor aServer, you need to contact the server manufacturer, and the personnel of the corresponding manufacturer will operate and maintain it. Sangfor employees are not allowed to operate directly.

Precautions

1. When the server is equipped with dual power supply modules, one is faulty, and the other runs normally. It can be replaced without interrupting services.
2. When the server is configured with a single power supply module, and the power supply fails, if the node has not been powered off and shut down, it can be replaced without interrupting production.
3. The model and parameters of the replaced power module must be the same as the original faulty power module.

Prerequisites

Confirm whether the server is configured with a single or dual power supply module and make a replacement plan.

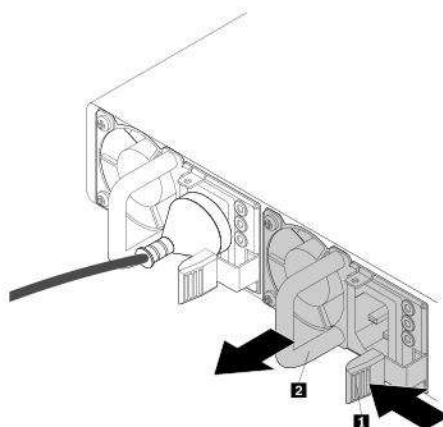
Steps

In these steps, the server is configured with dual power modules, and one of them is faulty.

When the server is configured with a single power supply module, the power

supply fails, and the node has not been powered off and shut down, the virtual machines and virtual devices on the node can be migrated to other nodes to ensure uninterrupted services. Then power off the server and replace the power module.

1. Unplug the faulty power supply cable, press the release tab in the direction shown in the figure, and at the same time, carefully pull the handle to pull out the faulty power supply from the chassis.



2. Double-check that the new power supply model matches the device.
3. Push the new power supply module into the chassis until it clicks into place and connects the power cord.
4. Detection after replacement
 - Check whether the power indicator is normal.
 - Check whether the device is powered on normally and runs normally.
 - Enter the IPMI to check whether the output status of the power supply voltage is normal (usually in the power supply options under the asset information or parts information).
 - Perform Health Check to confirm the normal operation of the platform.